

4K Starlight OmniView Network Camera

IPC8542ER5-DUG



Key Features

Optics

- Fifth-generation infrared technology, up to 50m (164ft) IR distance
- Starlight illumination
- IR anti-reflection window to increase the infrared transmittance
- Smart IR
- 2D/3D DNR (Digital Noise Reduction)
- 120dB true WDR
- Support a horizontal viewing angle of 180°

Compression

- Ultra H.265, H.265, H.264, MJPEG
- Triple streams
- Customized OSD
- 4096×1800@30fps supported

Network

- ONVIF Conformance

Structure

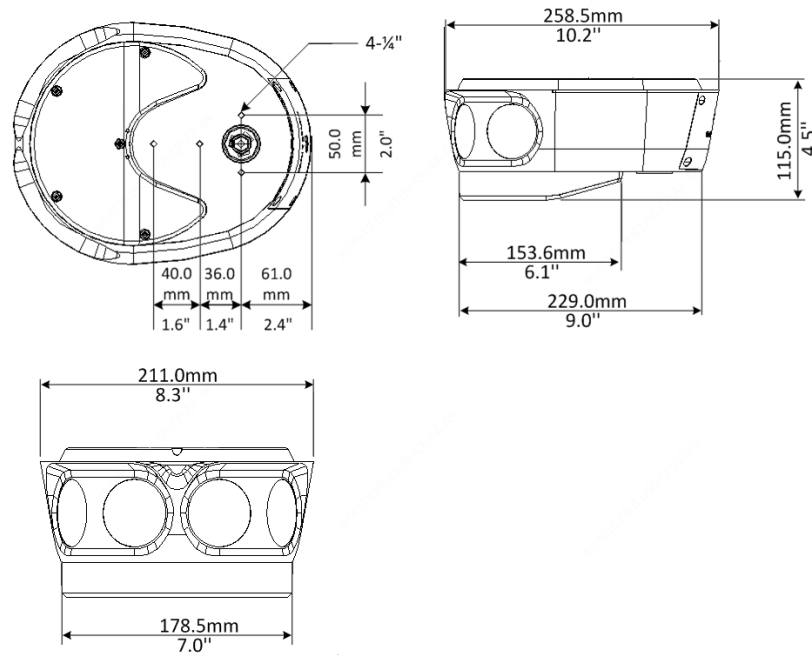
- Intelligent temperature control technology
- Wide temperature range: -40°C to 70°C (-40°F to 158°F)
- Wide voltage range of ±25%
- More effective heat dissipation system
- IP67

Specifications

IPC8542ER5-DUG					
Camera					
Sensor	1/1.8" progressive scan, 2.0 megapixel, CMOS				
Lens	4 × 4.2mm lens				
DORI Distance	Lens	Detect(m)	Observe(m)	Recognize(m)	Identify(m)
	4.2mm	50.4 (165.4ft)	20.2(66.3ft)	10.1(33.1ft)	5.0(16.4ft)
Angle of View (H)	180°				
Angle of View (V)	80°				
Angle of View (O)	221.4°				
Adjustment angle	Pan: -90°~90°			Tilt: -45°~60°	
Shutter	Auto/Manual, shutter time: 1 s ~ 1/100000 s				
Minimum Illumination	Colour: 0.002lux (F1.8,AGC ON) 0lux with IR				
Iris	F1.8				
Day/Night	IR-cut filter with auto switch (ICR)				
S/N	>55 dB				
IR Range	UP to 50m (164ft)				
Defog	Digital Defog				
WDR	120dB				
Video					
Video Compression	Ultra H.265,H.265, H.264, MJPEG				
Frame Rate	Main Stream: 4096×1800:Max. 30 fps; Sub Stream: 1920×832:Max. 30 fps; Third Stream: 1280×560: Max. 30 fps				

HLC	Supported
BLC	Supported
OSD	Up to 8 OSDs
Privacy Mask	Up to 8 areas
ROI	Up to 8 areas
Smart	
General Function	Watermark, IP Address Filtering, Tampering Alarm, Alarm input, Alarm output, Access Policy, ARP Protection, RTSP Authentication, User Authentication
Audio	
Audio Compression	G7.11
Two-way Audio	Supported
Suppression	Supported
Sampling Rate	8KHz
Storage	
Edge Storage	Micro SD, up to 256 GB
Network Storage	ANR
Network	
Protocols	IPv4, IGMP, ICMP, ARP, TCP, UDP, DHCP, PPPoE, RTP, RTSP, RTCP, DNS, DDNS, NTP, FTP, UPnP, HTTP, HTTPS, SMTP, 802.1x, SNMP, QoS
Compatible Integration	ONVIF (Profile S, Profile G, Profile T), API
Interface	
Audio I/O	1 Input: impedance 35 kΩ; amplitude 2 V [p-p]
	1 Output: impedance 600 Ω; amplitude 2 V [p-p]
Alarm I/O	2/1
Network	1*100M/1000M Base-FX SFP + 2*10M/100M/1000M Base-TX Ethernet
General	
Power	AC24V/DC24V±25%
	Power consumption: 48W MAX
Dimensions	259mmx211mmx115mm
Weight	2.4kg(5.3lb)
Working Environment	-40°C ~ +70°C (-40°F ~ 158°F), Humidity:10%~95% RH(non-condensing)
Ingress Protection	IP67
Reset Button	Supported

Dimensions



Zhejiang Uniview Technologies Co., Ltd.

South Tower, Building 10, Wanlun Science Park, 88 Jiangling Road, Hangzhou, P.R.China 310051

Email: overseasbusiness@uniview.com; globalsupport@uniview.com

<http://www.uniview.com>

©2019 Zhejiang Uniview Technologies Co., Ltd. All rights reserved.

*Product specifications and availability are subject to change without notice.



IPC8542ER5-DUG

MSRP: \$2999

Your Price: Special Order Only, Please Call for Pricing (allow additional 2 weeks for shipping)

Shipping calculated at checkout.

4K Starlight OmniView Network Camera

- 1/1.8" progressive scan CMOS
- Up to 4096×1800 resolution,30fps
- 180°Horizontal viewing angle
- 4×4.2mm lens
- Ultra 265,H.265
- Smart IR, up to 50m IR distance
- 120dB True WDR
- 2D/3D DNR, ROI
- AC24V/DC24V, Wide voltage range of $\pm 25\%$
- IP67