

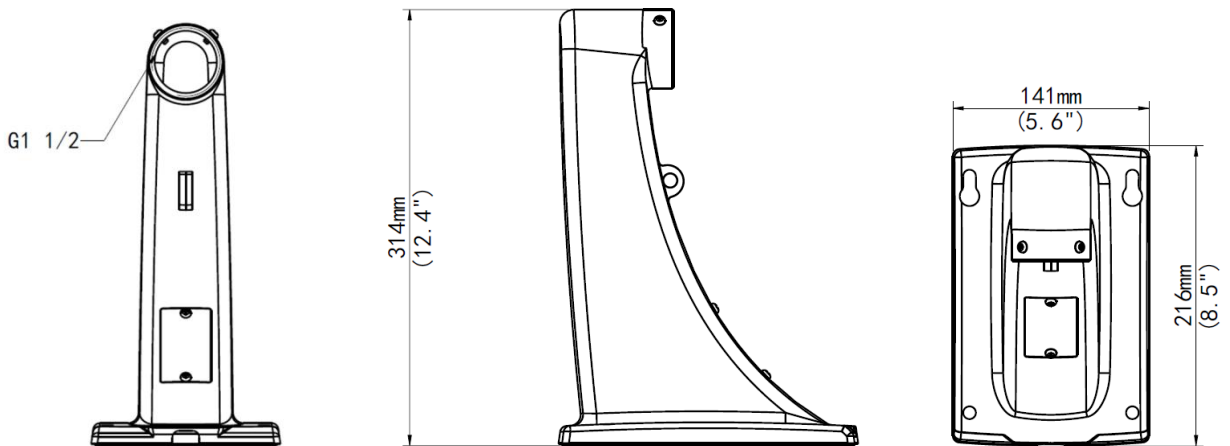
TR-WE45-A-IN PTZ Dome Wall Mount



Specifications

Bracket	TR-WE45-A-IN
Application	Indoor or outdoor, wall installation for PTZ dome camera
Dimensions(L x W x H)	216mmx141mmx314mm(8.5" x 5.6"x 12.4")
Weight	1.0kg(2.2lb)
Material	Aluminum alloy

Dimensions



Zhejiang Uniview Technologies Co.,Ltd.

South Tower, Building 10, Wanlun Science Park, 88 Jiangling Road, Hangzhou, P.R.China 310051

Email: overseasbusiness@uniview.com; globalsupport@uniview.com

<http://www.uniview.com>

©2015 Zhejiang Uniview Technologies Co.,Ltd. All rights reserved.

*Product specifications and availability are subject to change without notice.

888-211-2288

IP Camera Systems @ Uniview

Contact Us

System Deals

Cameras

DVRs & NVRs

Accessories

Support & Help

More

Home > Accessories > Mountings & Housings > UN-TRWE45AIN | PTZ Dome Wall Mount

My Account

- Login
- REGISTER
- Forgot Password?

Recently Viewed

- Uniview TRJB07DIN | Bullet Junction Box \$32.00
- TR-WE45-IN Uniview PTZ Wall Mount \$42.90

Reviews

- 4MP IP PoE 8 Motorized Bullet Camera Kit (IP29)

Before buying any product I do a lot of market survey and on being satisfied with the reviews I g...

jems want
07-11-2017

[More...](#) [All Reviews](#)

Special

- Manufacturers
- Surveillance News
- Blog
- Testimonials

Help Section

UN-TRWE45AIN | PTZ Dome Wall Mount



\$43.20

Availability: ✔ In-Stock
 List Price: \$64.80
 SKU: WECUN-TRWE45AIN
 Product #: 103121

[Ask A Question](#) [Printable Version](#)

Manufacturer:



Quantity

1

[Add To Cart](#)

[Previous Product](#)

[Next Product](#)

Description

Reviews

UNV Support

Dealers And Installer Sign-Up

Mobile Apps

[Click to Chat](#)

